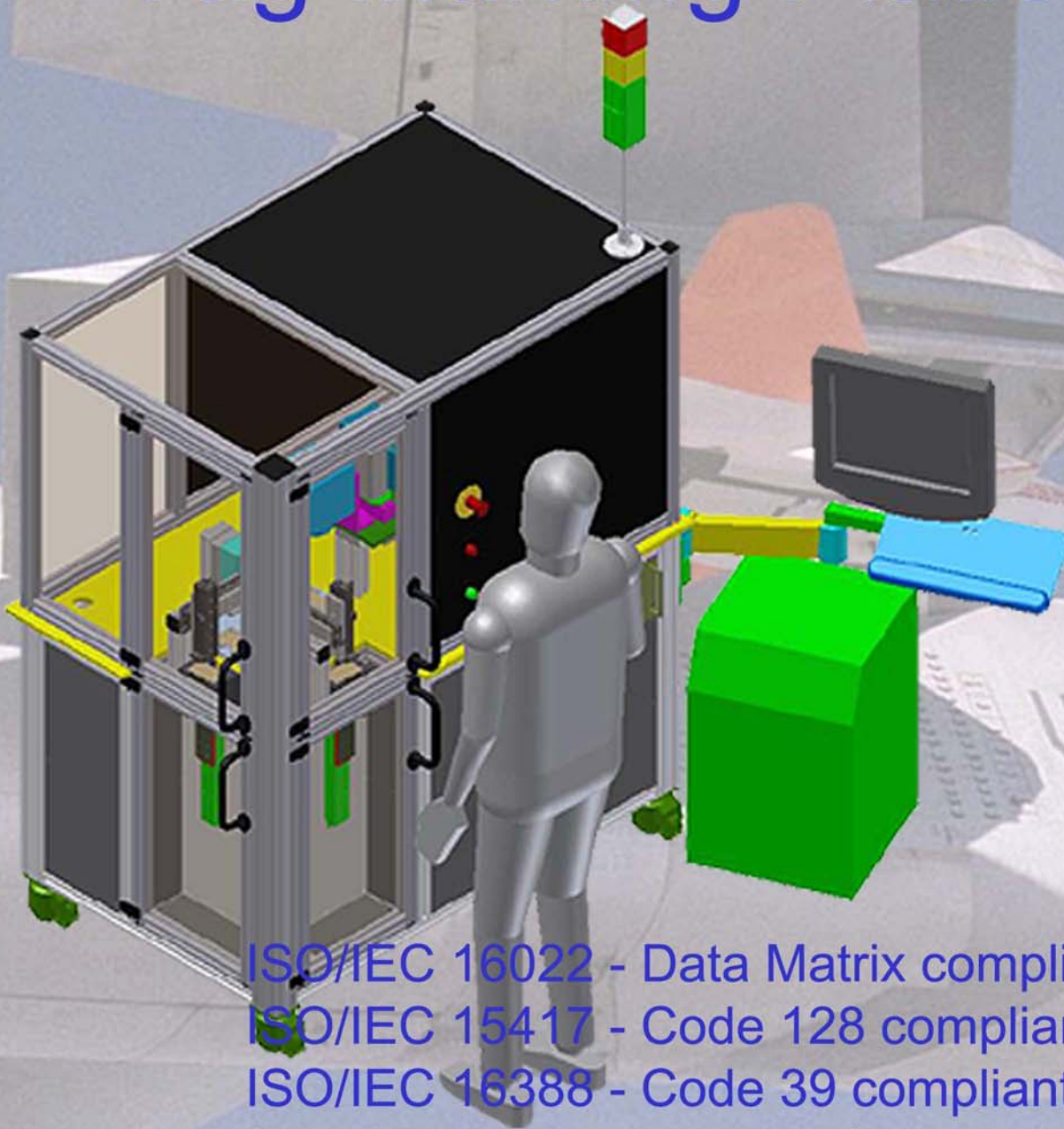


UID Compliant Tag Marking Platform



ISO/IEC 16022 - Data Matrix compliant reader

ISO/IEC 15417 - Code 128 compliant reader

ISO/IEC 16388 - Code 39 compliant reader

Data Matrix code grading (contrast, growth,
axial nonuniformity and
unused error correction)

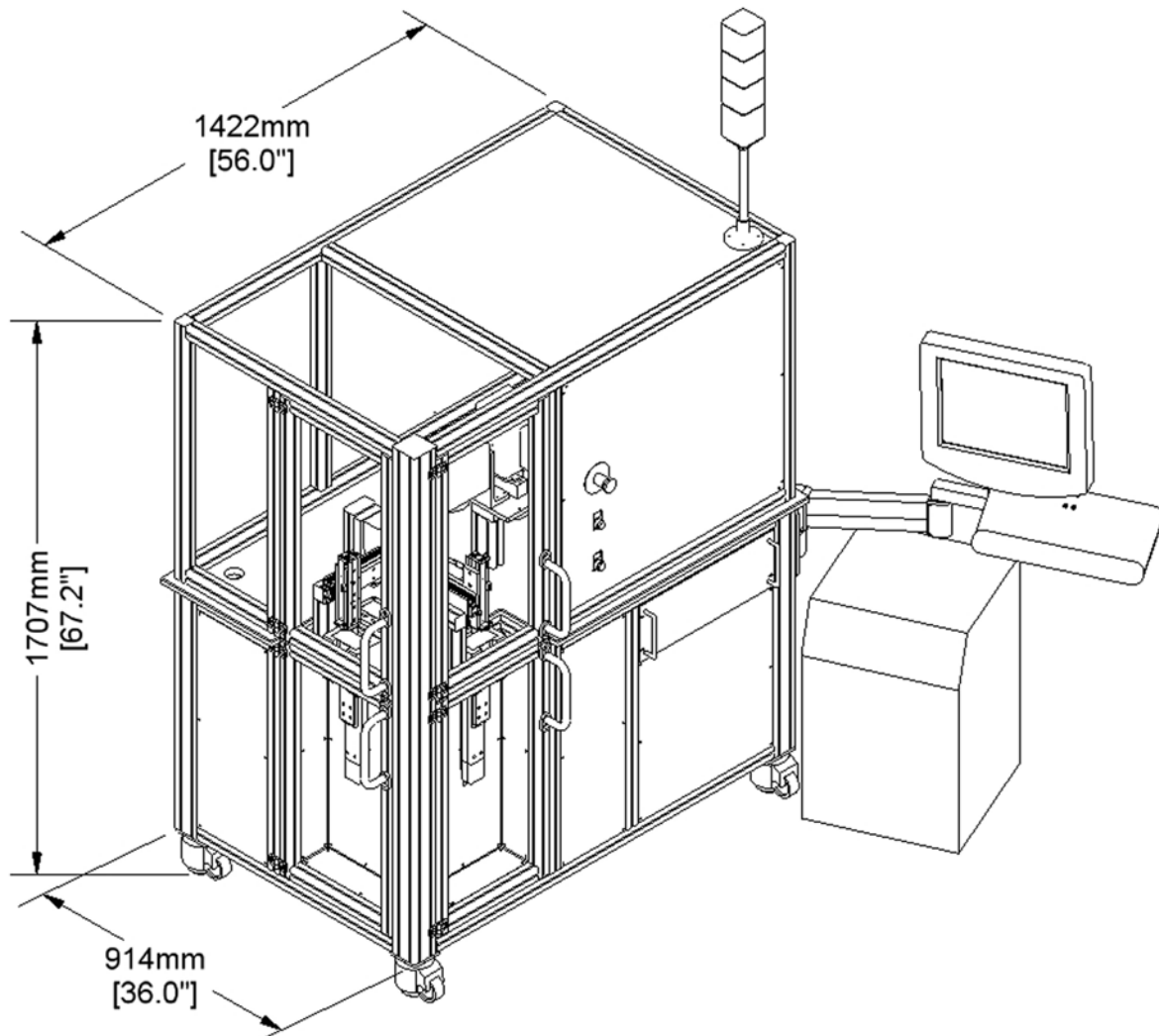
Laser and/or mechanical marking

Industrial PC with ethernet connectivity

Zmation, Inc.

Specifications

Marking System	Laser or mechanical marking
Tag Loading	Manual or automatic
Speeds	Up to 15 tags/minute
Tag Size	Up to 4" x 4"
Power	208V +/-10% AC @ 15 amps
Frequency	50/60 Hz single phase
Computer	Industrial 19" rack mount
Operating System	Microsoft Windows ^{XP}
Air Requirements	80 PSI @ 1 sCFM



Zmation, Inc.

14811 NE Airport Way, Suite 200
Portland, OR 97230 USA
1-503-253-8871
www.zmation.com